



Technical Datasheet

VWR® BASIC VISITOR COAT PE HOOD W/SNAP

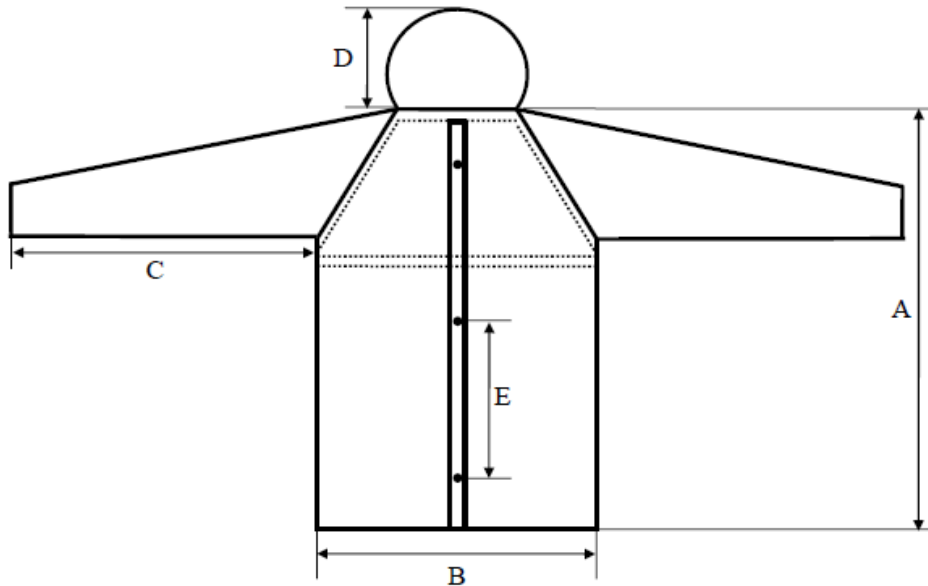
CHARACTERISTICS:

- Made of PE film
- White colour
- Hood with Snap
- Nature Rubber Latex Free
- Comply with European Commission Directive 1935/2004/EC, Regulation (EU) No.10/2011, Regulation (EU) No.2016/1416 and Regulation (EU) 2017/752.

PHYSICAL PROPERTIES

Item		Test method	Standard
Thickness (µm)		ASTM D1777	15±1
Break Tensile Properties (N/5cm)	MD	ISO13934-1	>15
	CD	ISO13934-1	>7
Elongation Rate(%)	MD	ISO13934-1	>50
	CD	ISO13934-1	>50

PRODUCTS AND DIMENSION SPECIFICATION



Unit:CM

ECN	Colour (Sole)	Dimension				
		A	B	C	D	E
113-9092	White	130	75	45	35	30
Tolerance		±1	±1	±1	±1	±1



Technical Datasheet

PACKING:

Package/Quantity	50 pcs/bag, 10bags/Carton Case
Best Storage Conditions	Temp : 0- 50°C, Humidity : 45-85% without sunshine exposure
Country of Origin	China

QUALITY ASSURANCE CRITERIA:

1. Dimension and Function - Critical (AQL1.5, S-2)

- Product dimension out of spec.
- Fabric characteristics out of spec
- Sonic welding strength less than 15N/5cm

2. Visual Inspection/ Attributes - Major (AQL 2.5, L-II)

- Foreign Material
- Dirt
- Thread ends loose or too long(over 1cm)
- Holes/Tears
- Foul odor
- Discolor
- Wrong collar tag
- Wrong stitch
- Cloth surface applied wrongly
- Less than 3 stitches per centimeter

3. Visual Inspection/Attributes - Minor (AQL 4.0, L-II)

- Sewing sundries
- Elastic band end exposed
- Sewing end falling-off
- Jumping Stitch
- Missing stitch
- Unwanted folds
- Elastic tightness non-consistent

Disclaimer: VWR wants to state that this declaration will not discharge the user from his obligation to ensure the product is suitable for the intended use. - If there is any doubt ask us.

Date of issue: **November 2015**